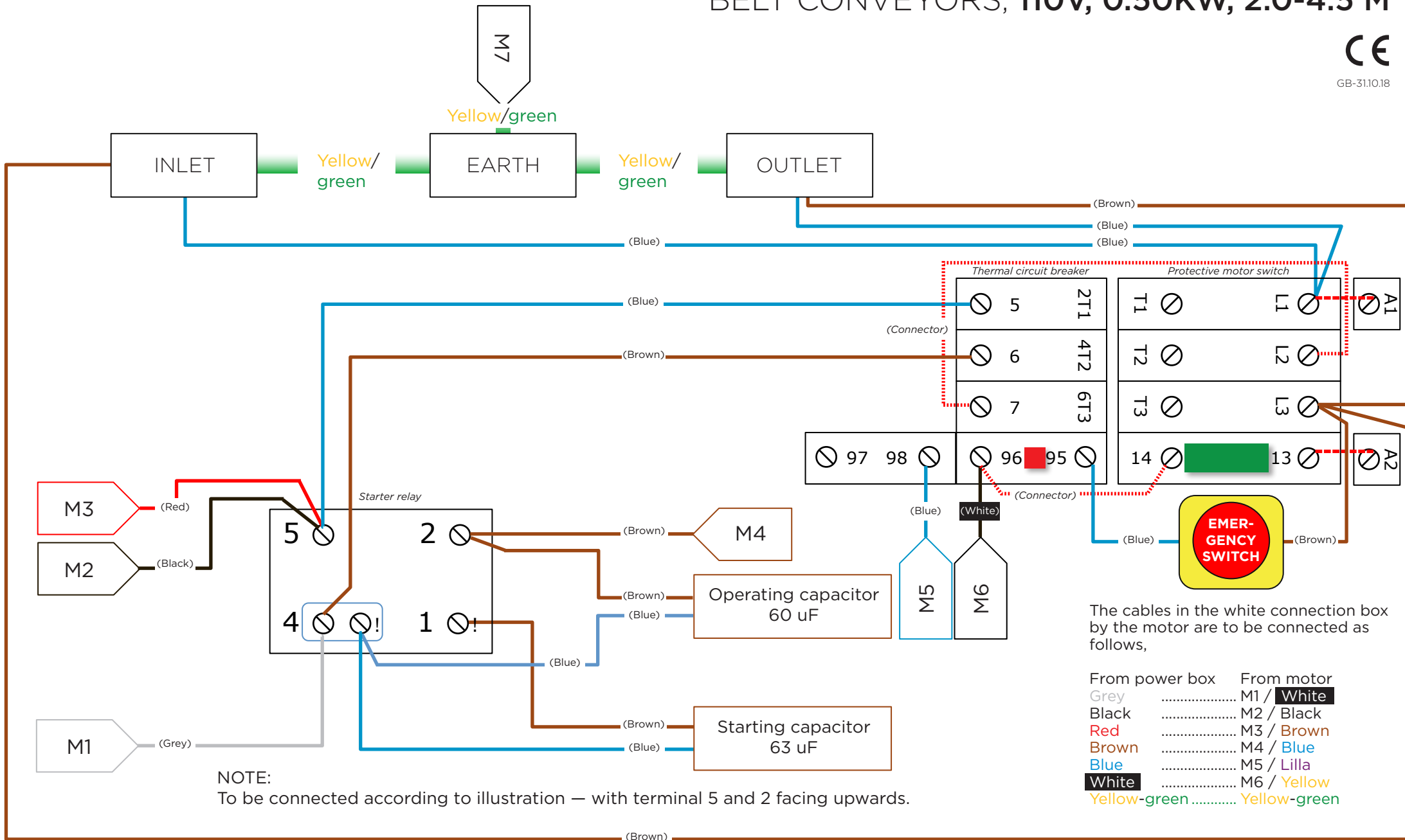


BELT CONVEYORS, 110V, 0.50KW, 2.0-4.5 M



GB-31.10.18



NOTE:
To be connected according to illustration – with terminal 5 and 2 facing upwards.

The cables in the white connection box by the motor are to be connected as follows,

From power box	From motor
Grey	M1 / White
Black	M2 / Black
Red	M3 / Brown
Brown	M4 / Blue
Blue	M5 / Lilla
White	M6 / Yellow
Yellow-green	Yellow-green